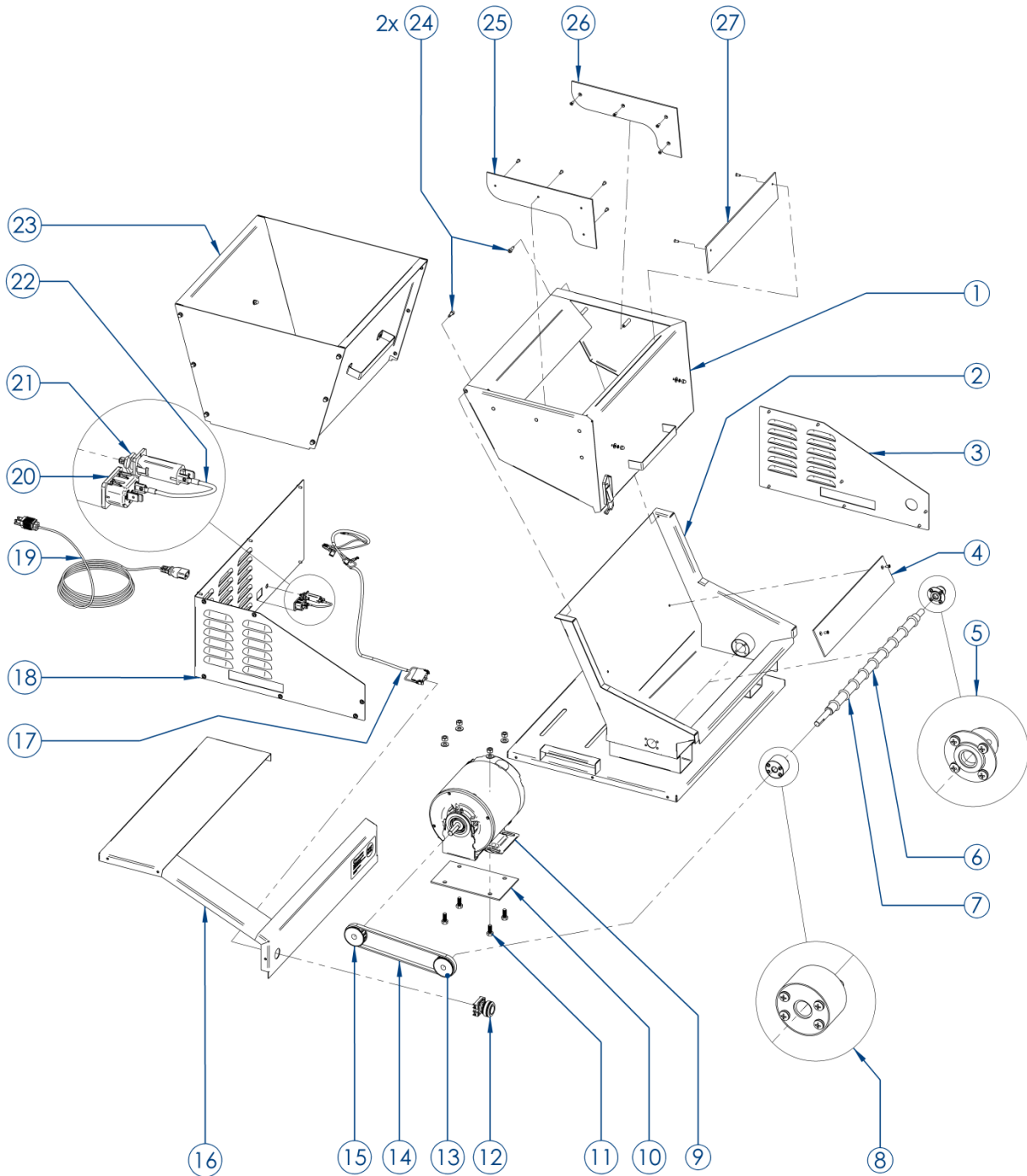
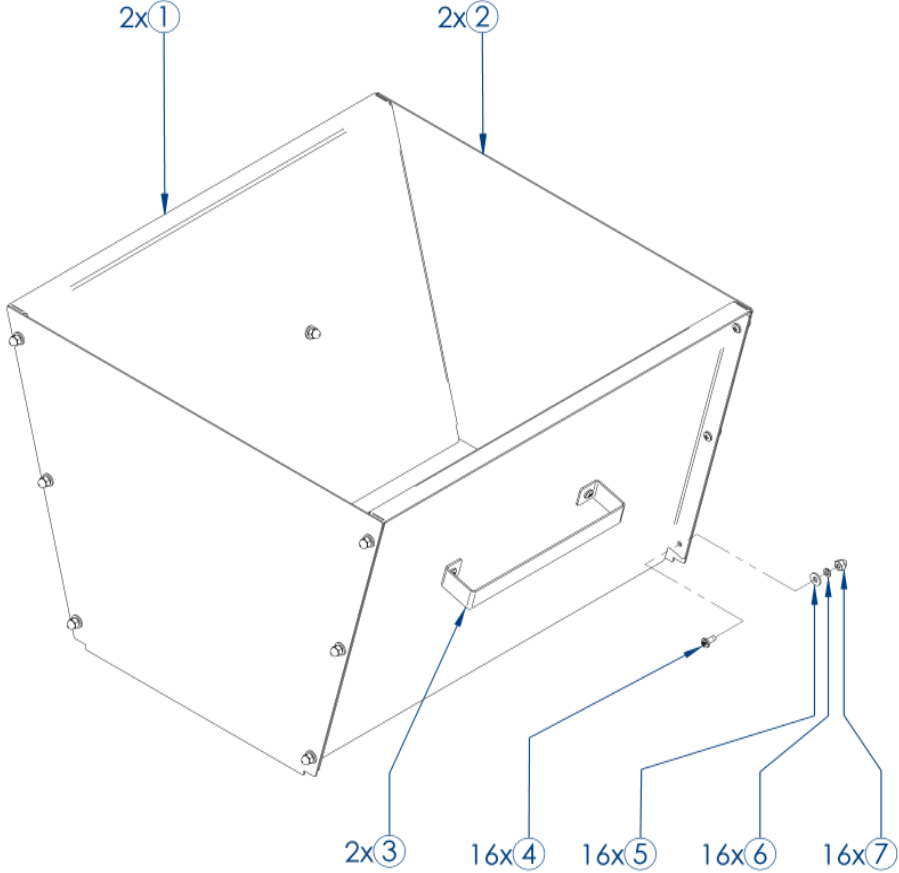


Stock Chiller SC02/SC03 Major Parts Explosion Diagram



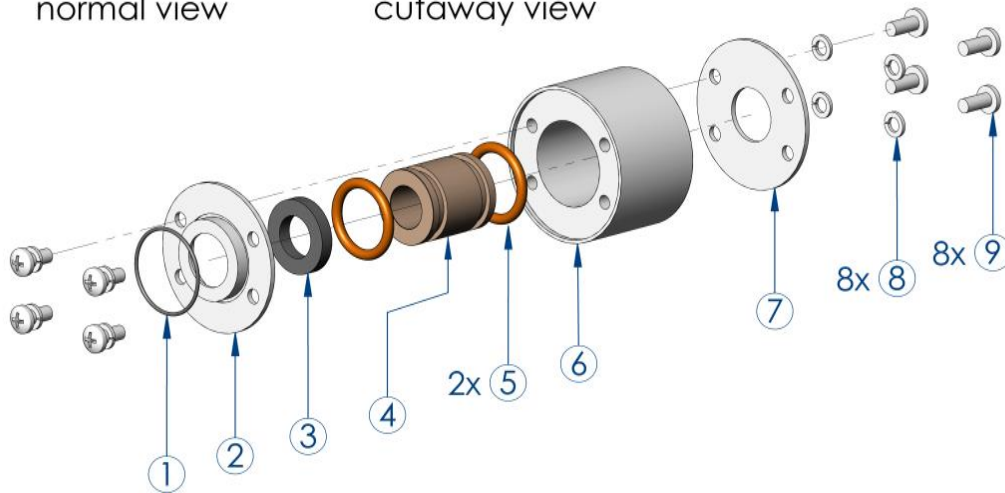
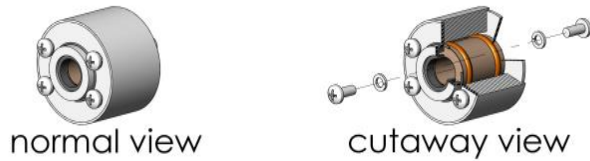
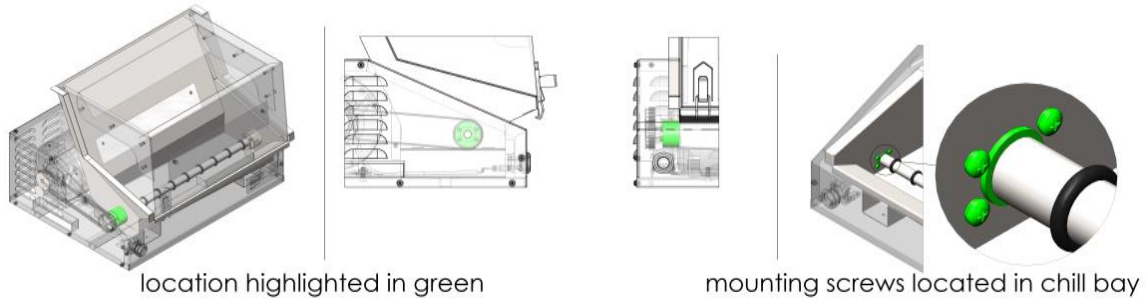
Number	Description	SCO2 Part Number	SC03 Part Number
1	Chill bay lid	000181	000776
2	Main body	N/A	N/A
3	Right motor cover	000293	000800
4	Back friction wall	000080	000080
5	Right bearing assembly (see detail)	000091	000754
6	Drive roller	000383	000855
7	O-rings	000394 (qty 9)	000394 (qty 7)
8	Left bearing assembly (see detail)	000426	000426
9	Motor	000484	000484
10	Motor mounting pad	000495	000495
11	Motor mounting hardware	000901	000901
12	Pushbutton switch assembly	000347	000347
13	Front pulley	000404	000404
14	Timing belt	000415	000866
15	Back pulley	000404	000404
16	Top motor cover	000303	000811
17	Wire harness A	000530	000530
18	Back motor cover	000325	000833
19	Plug	000697	000697
20	Power entry module	000653	000653
21	Thermal breaker	000664	000664
22	Wire harness B	000675	000675
23	Ice chute assembly (see detail)	000606	000877
24	Hinge bolt	000257	000257
25	Left friction wall	000260	000776
26	Right friction wall	000271	000787
27	Front friction wall	000080	000080

SC02/SC03 Stock Chiller Ice Chute Parts Diagram



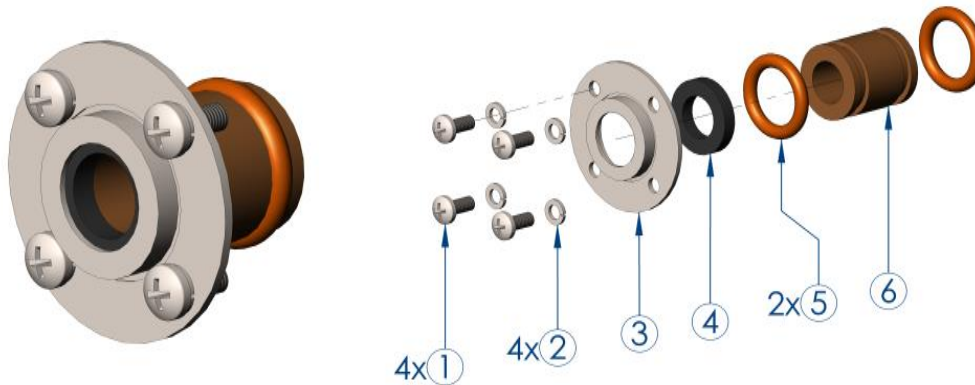
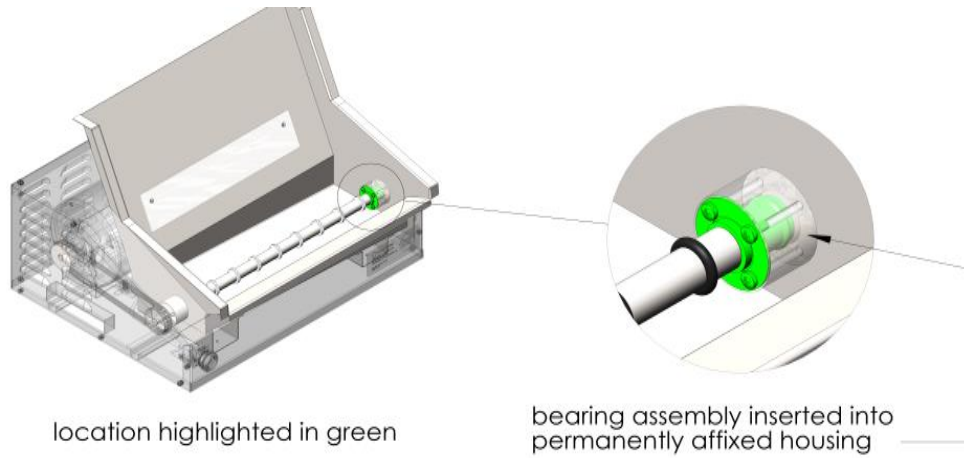
Number	Description	SCO2 Part No.	SC03 Part No.
	Ice chute assembly (complete)	000606	000877
1	Flanged ice chute walls	000617 (qty 2)	000880 (qty 2)
2	Side walls	000620 (qty 2)	000891 (qty 2)
3	Handles	000631 (qty 2)	000631 (qty 2)
4	Pan Head Machine Screw	000156 (qty 16)	000156 (qty 16)
5	Flat Washer	000235 (qty 16)	000235 (qty 16)
6	Lock washer	000145 (qty 16)	000145 (qty 16)
7	Acorn nut	000246 (qty 16)	000246 (qty 16)

SC02/SC03 Stock Chiller Left Bearing Parts Diagram



Number	Description	SCO2/SC03 Part No.
	Left bearing assembly (complete)	000426
1	Gasket	000462
2	Seal plate	000440
3	Shaft seal	000112
4	Bronze bearing	000123
5	High temperature silicone O-ring	000134 (qty 2)
6	Bearing block housing	000437
7	Flat retaining endplate	000451
8	Lock washer	000145 (qty 8)
9	Pan head machine screw	000156 (qty 8)

SC02/SC03 Stock Chiller Right Bearing Parts Diagram



Number	Description	SCO2/SC03 Part No.
	Right bearing assembly (complete)	000426
1	Pan head machine screw	000156 (qty 4)
2	Lock washer	000145 (qty 4)
3	Seal plate	000101
4	Shaft seal	000112
5	High temperature silicone O-ring	000134 (qty 2)
6	Bronze bearing	000123