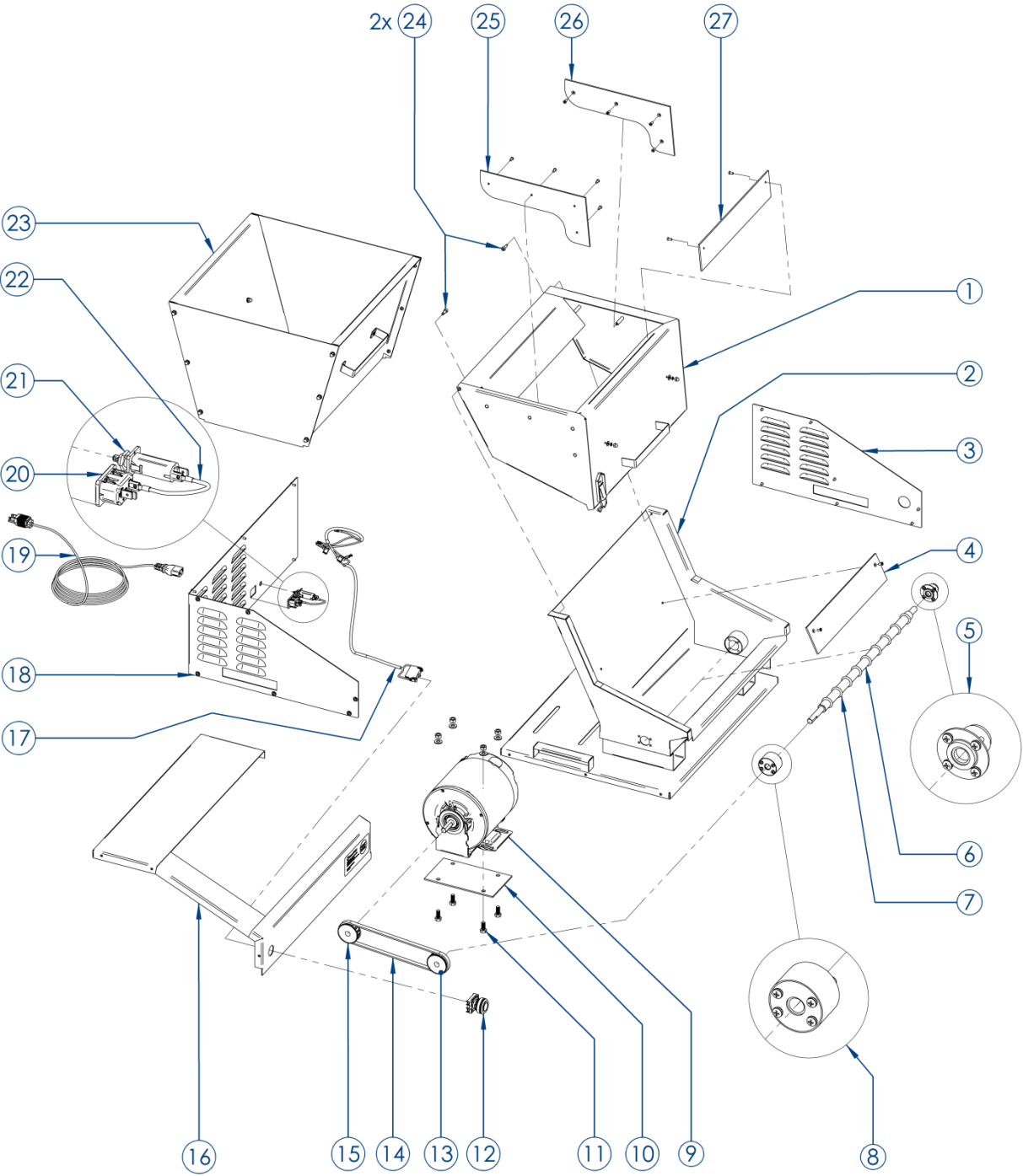
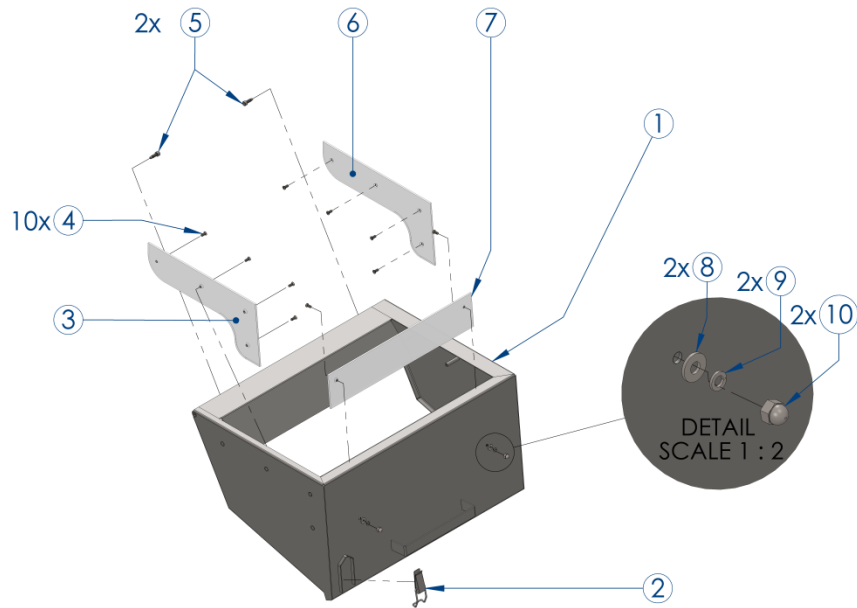


Stock Chiller SC02/SC03 Major Parts Explosion Diagram



| Number | Description | SC02 Part Number | SC03 Part Number |
|--------|--|---|---|
| 1 | Chill bay lid assembly (see detail) | 000170 | 000765 |
| 2 | Main body | N/A | N/A |
| 3 | Right motor cover | 000293 | 000800 |
| 4 | Back friction wall | 000080 | 000080 |
| 5 | Right bearing assembly (see detail) | 000091 | 000754 |
| 6 | Drive roller | 000383 | 000855 |
| 7 | O-rings | 000394 (qty 9) | 000394 (qty 7) |
| 8 | Left bearing assembly (see detail) | 000426 | 000426 |
| 9 | Motor | 000484 (120V) 000923 (220V) | 000484 (120V) 000923 (220V) |
| 10 | Motor mounting pad | 000495 | 000495 |
| 11 | Motor mounting hardware | 000901 | 000901 |
| 12 | Pushbutton switch assembly | 000347 | 000347 |
| 13 | Front pulley | 000404 (15 grooves, std) 000956 (24 grooves, optional) | 000404 |
| 14 | Timing belt | 000415 (std) 000866 (optional) 000967 (optional) | 000866 |
| 15 | Back pulley | 000404 (15 grooves std) 000945 (10 grooves, optional) | 000404 |
| 16 | Top motor cover | 000303 | 000811 |
| 17 | Wire harness A | 000530 | 000530 |
| 18 | Back motor cover | 000325 | 000833 |
| 19 | Plug | 000697 (120V/USA) 000934 (International) | 000697 (120V/USA) 000934 (International) |
| 20 | Power entry module | 000653 | 000653 |
| 21 | Thermal breaker | 000664 | 000664 |
| 22 | Wire harness B | 000675 | 000675 |
| 23 | Ice chute assembly (see detail) | 000606 | 000877 |
| 24 | Hinge bolt | 000257 | 000257 |
| 25 | Left friction wall | 000260 | 000776 |
| 26 | Right friction wall | 000271 | 000787 |
| 27 | Front friction wall | 000080 | 000080 |

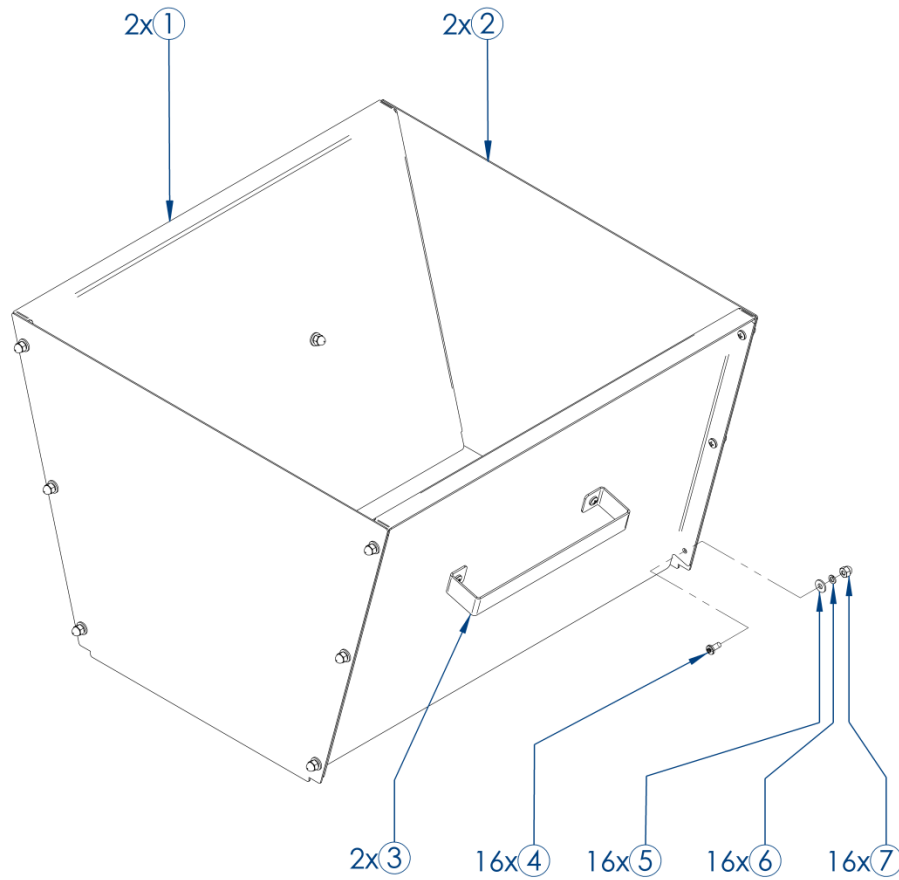
SC02/SC03 Stock Chiller Chill Bay Lid Parts Diagram



| Number | Description | SC02 Part No. | SC03 Part No. |
|--------|-----------------------------------|-----------------|-----------------|
| | Chill bay lid assembly (complete) | 000170 | 000765 |
| 1 | Chill bay lid main body | 000181 | 000911 |
| 2 | Lid spring latch | 000192 | 000192 |
| 3* | Left friction wall | 000260 | 000776 |
| 4 | Flat head screw | 000167 (qty 10) | 000167 (qty 10) |
| 5* | Hinge bolt | 000257 (qty 2) | 000257 (qty 2) |
| 6* | Right friction wall | 000271 | 000787 |
| 7* | Front friction wall | 000080 | 000080 |
| 8 | Flat washer | 000235 (qty 2) | 000235 (qty 2) |
| 9 | Spring lockwasher | 000145 (qty 2) | 000145 (qty 2) |
| 10 | Acorn nut | 000246 (qty 2) | 000246 (qty 2) |

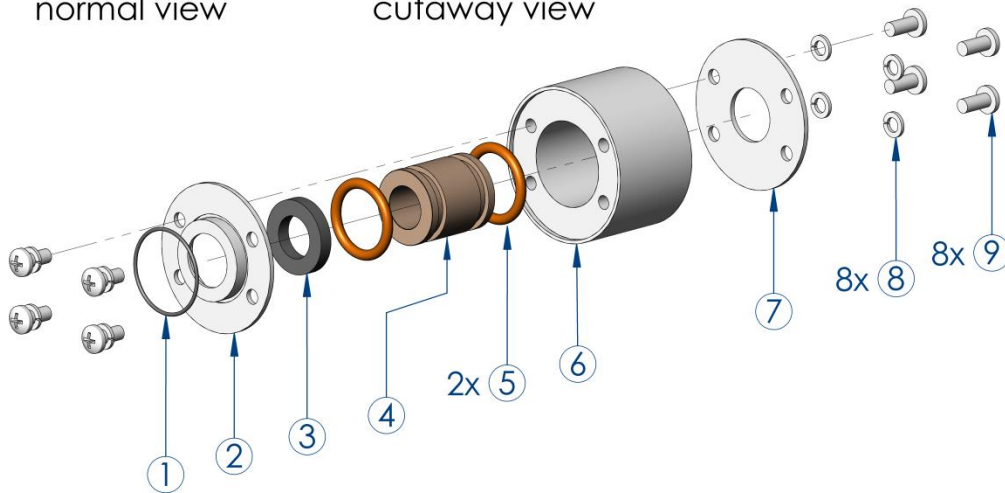
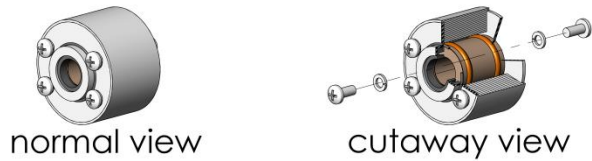
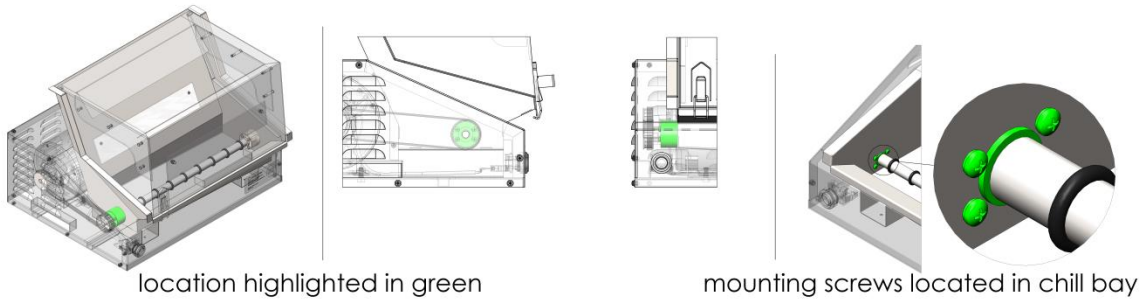
** Item is also indicated on SC02/SC03 Major Parts Explosion Diagram as a different item number. The part number is the same.*

SC02/SC03 Stock Chiller Ice Chute Parts Diagram



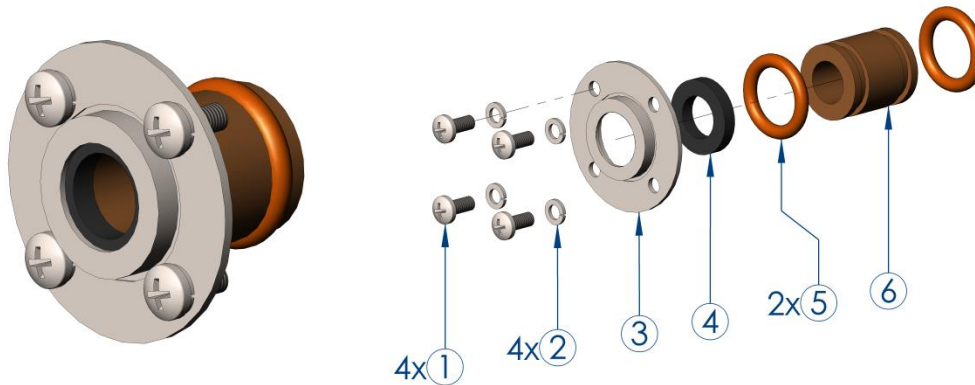
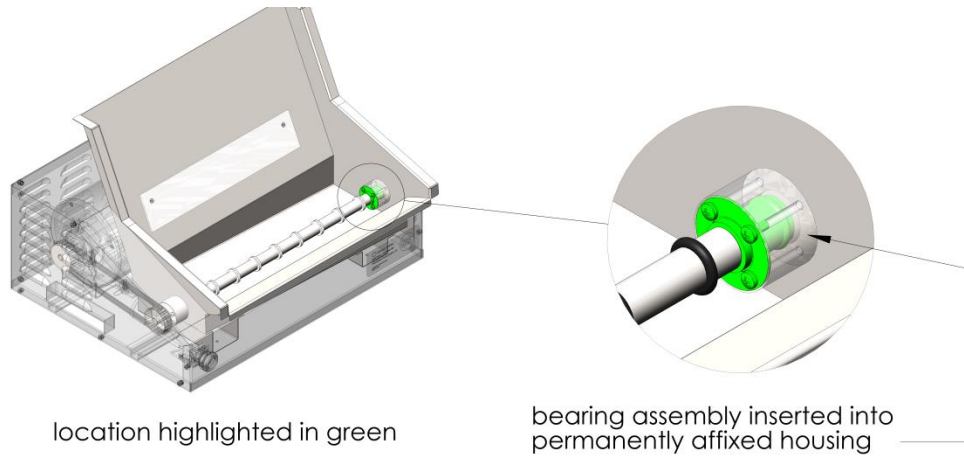
| Number | Description | SC02 Part No. | SC03 Part No. |
|--------|-------------------------------|-----------------|-----------------|
| | Ice chute assembly (complete) | 000606 | 000877 |
| 1 | Flanged ice chute walls | 000617 (qty 2) | 000880 (qty 2) |
| 2 | Side walls | 000620 (qty 2) | 000891 (qty 2) |
| 3 | Handles | 000631 (qty 2) | 000631 (qty 2) |
| 4 | Pan Head Machine Screw | 000156 (qty 16) | 000156 (qty 16) |
| 5 | Flat Washer | 000235 (qty 16) | 000235 (qty 16) |
| 6 | Lock washer | 000145 (qty 16) | 000145 (qty 16) |
| 7 | Acorn nut | 000246 (qty 16) | 000246 (qty 16) |

SC02/SC03 Stock Chiller Left Bearing Parts Diagram



| Number | Description | SC02/SC03 Part No. |
|--------|----------------------------------|--------------------|
| | Left bearing assembly (complete) | 000426 |
| 1 | Gasket | 000462 |
| 2 | Seal plate | 000440 |
| 3 | Shaft seal | 000112 |
| 4 | Bronze bearing | 000123 |
| 5 | High temperature silicone O-ring | 000134 (qty 2) |
| 6 | Bearing block housing | 000437 |
| 7 | Flat retaining endplate | 000451 |
| 8 | Lock washer | 000145 (qty 8) |
| 9 | Pan head machine screw | 000156 (qty 8) |

SC02/SC03 Stock Chiller Right Bearing Parts Diagram



| Number | Description | SC02/SC03 Part No. |
|--------|-----------------------------------|--------------------|
| | Right bearing assembly (complete) | 000426 |
| 1 | Pan head machine screw | 000156 (qty 4) |
| 2 | Lock washer | 000145 (qty 4) |
| 3 | Seal plate | 000101 |
| 4 | Shaft seal | 000112 |
| 5 | High temperature silicone O-ring | 000134 (qty 2) |
| 6 | Bronze bearing | 000123 |