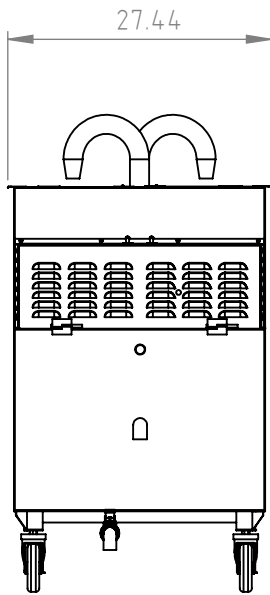
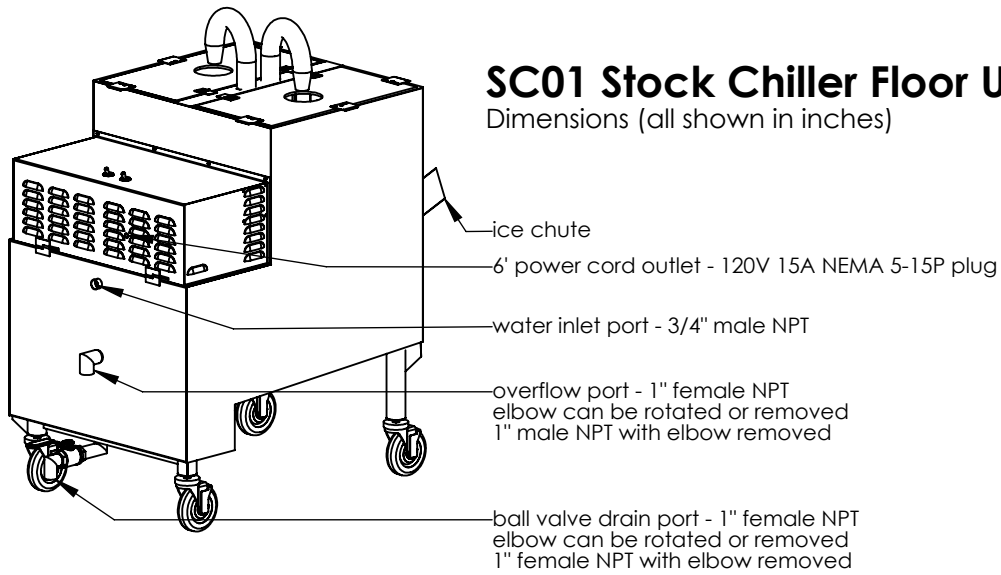
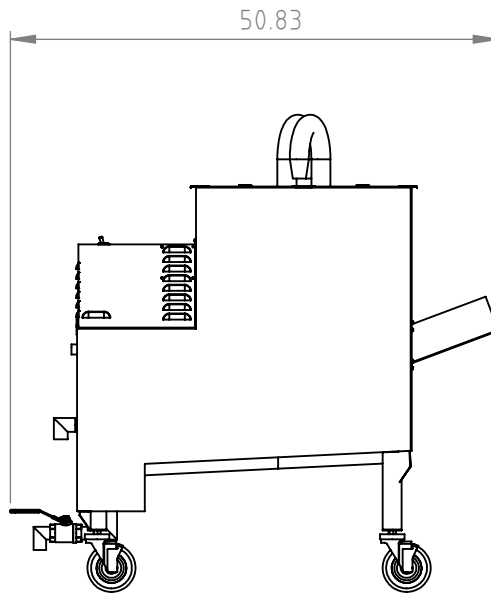


SC01 Stock Chiller Floor Unit

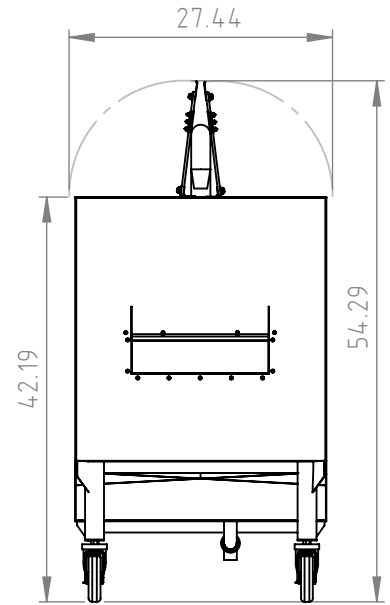
Dimensions (all shown in inches)



Back View

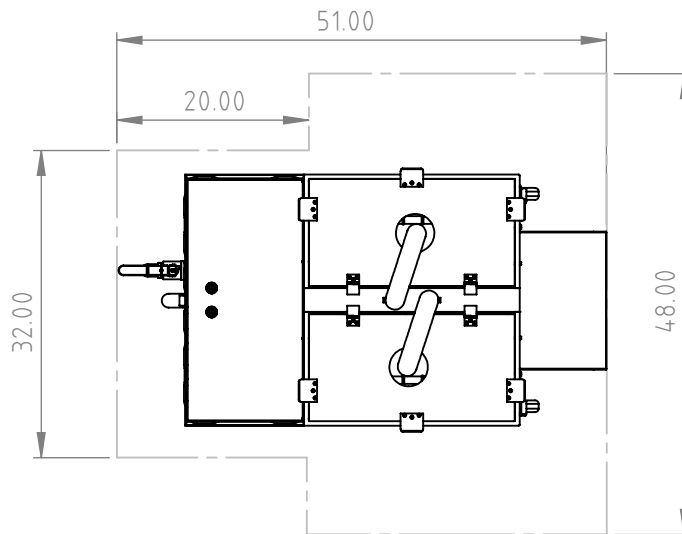


Side View



Front View

(Chill bay lids shown open)



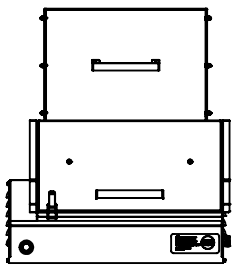
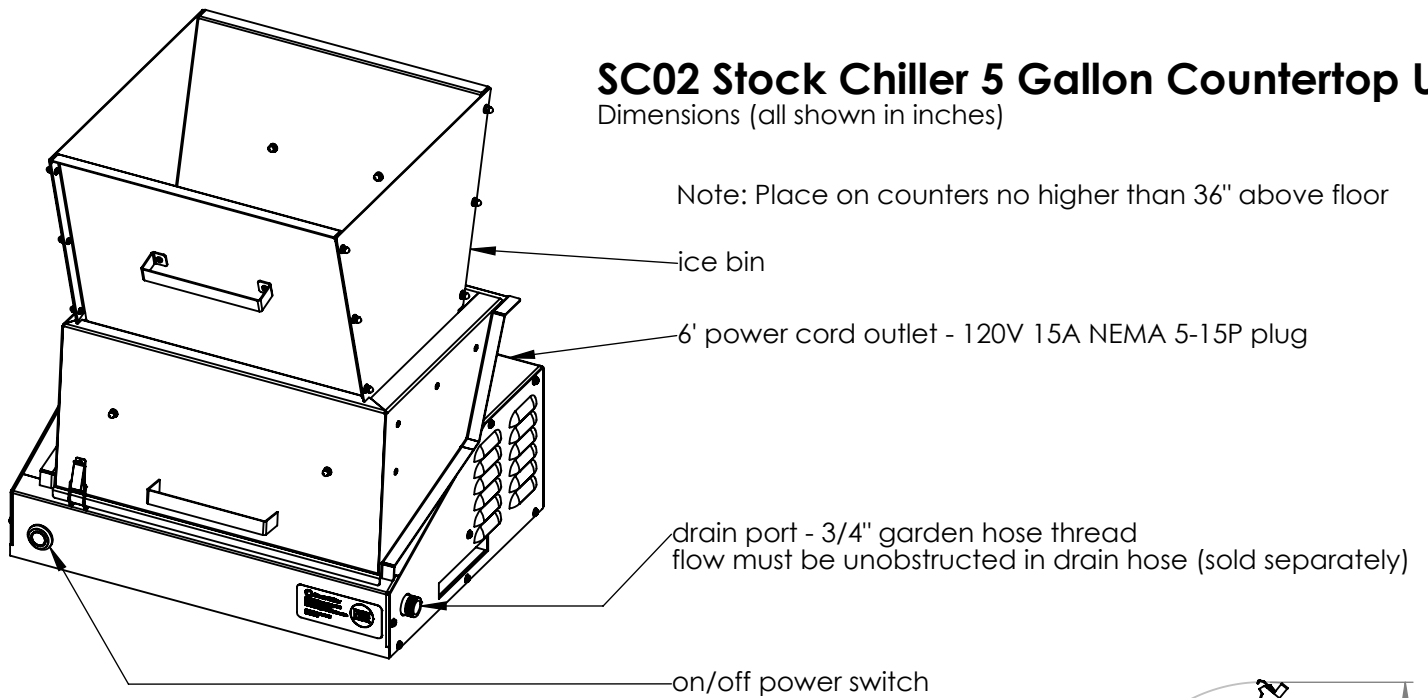
Top View

(minimum clearance areas outlined)

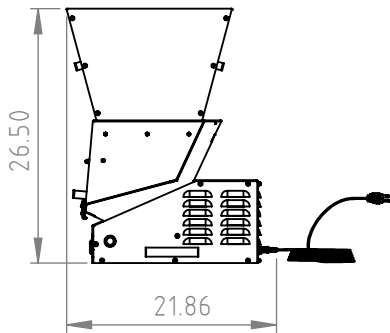
SC02 Stock Chiller 5 Gallon Countertop Unit

Dimensions (all shown in inches)

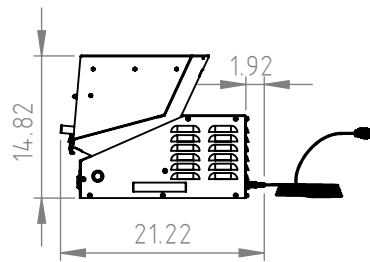
Note: Place on counters no higher than 36" above floor



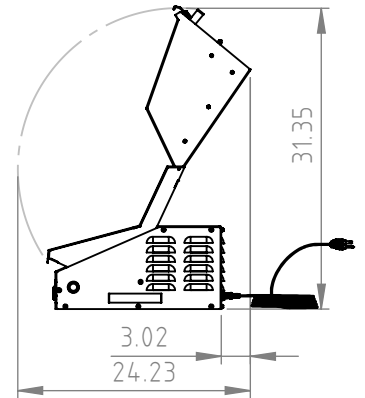
Front View
shown with ice bin



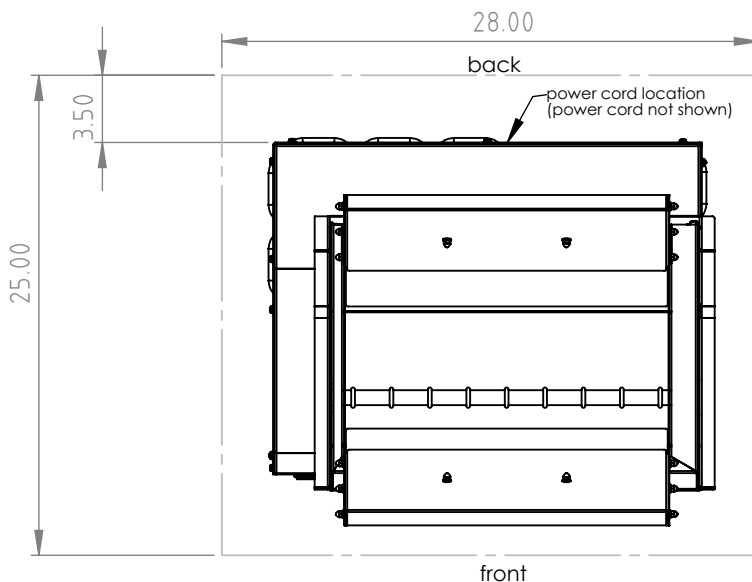
Side View
shown with ice bin



Side View
shown without ice bin



Side View
shown without ice bin and
chill bay lid open

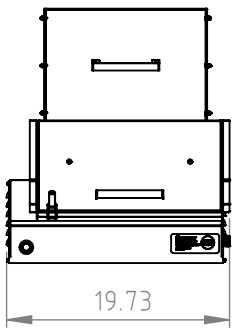
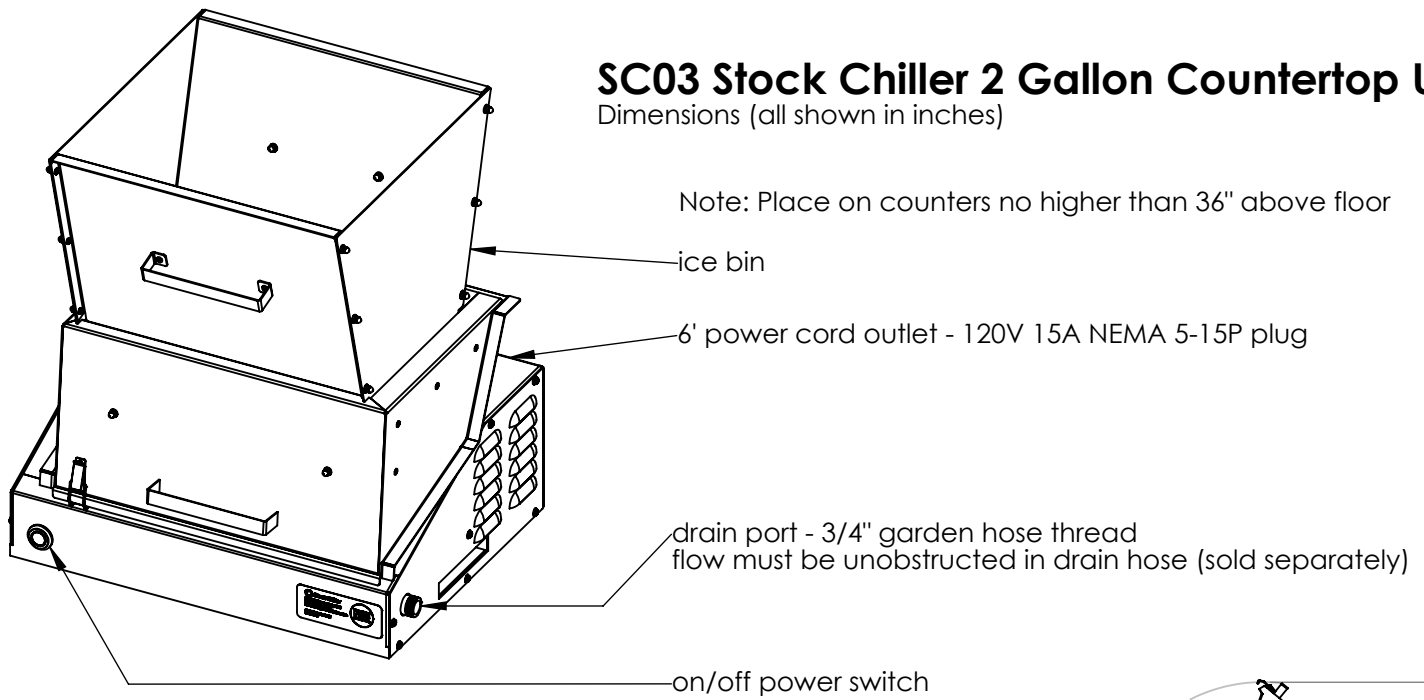


Top View
(minimum clearance areas outlined)

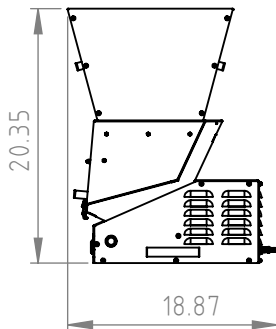
SC03 Stock Chiller 2 Gallon Countertop Unit

Dimensions (all shown in inches)

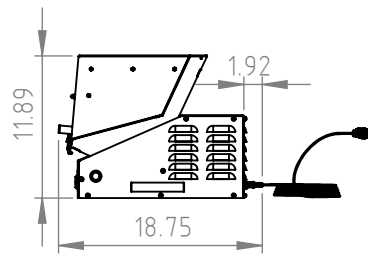
Note: Place on counters no higher than 36" above floor



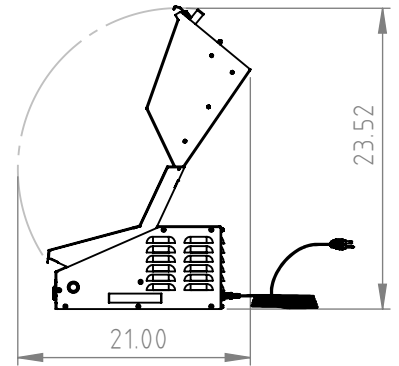
Front View
shown with ice bin



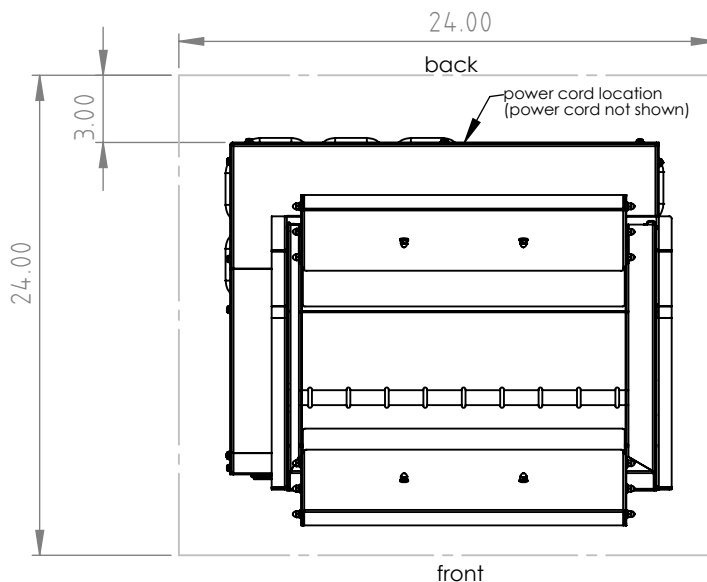
Side View
shown with ice bin



Side View
shown without ice bin



Side View
shown without ice bin and
chill bay lid open



Top View
(minimum clearance areas outlined)